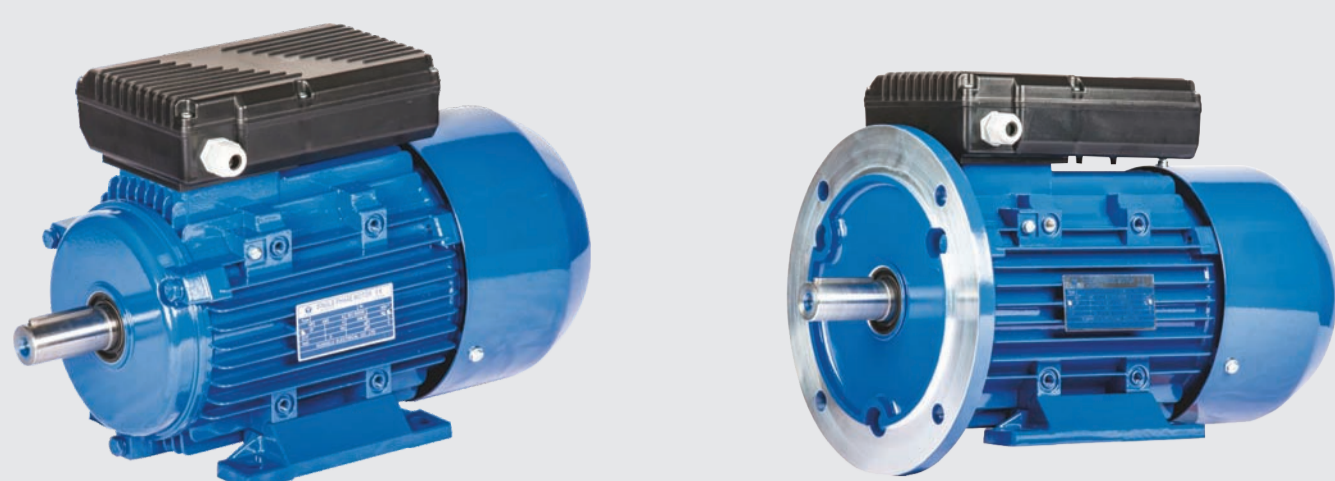


GMYC单相异步电动机

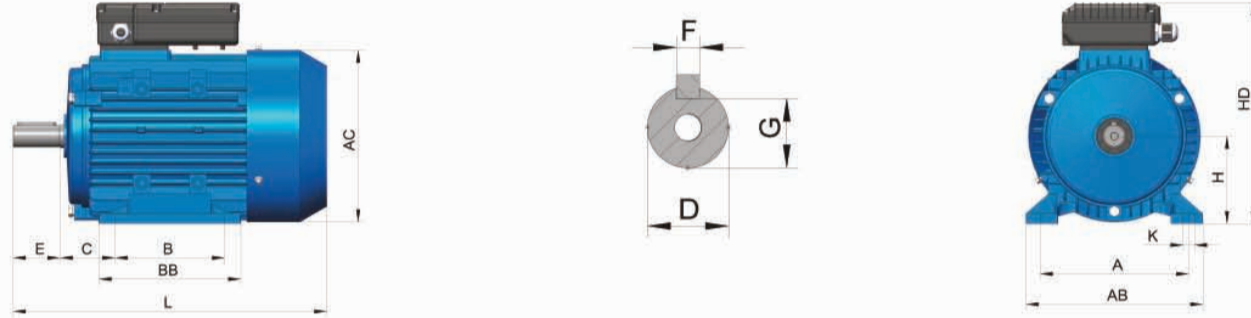


技术参数

TECHNICAL DATA OF GMYC SERIES

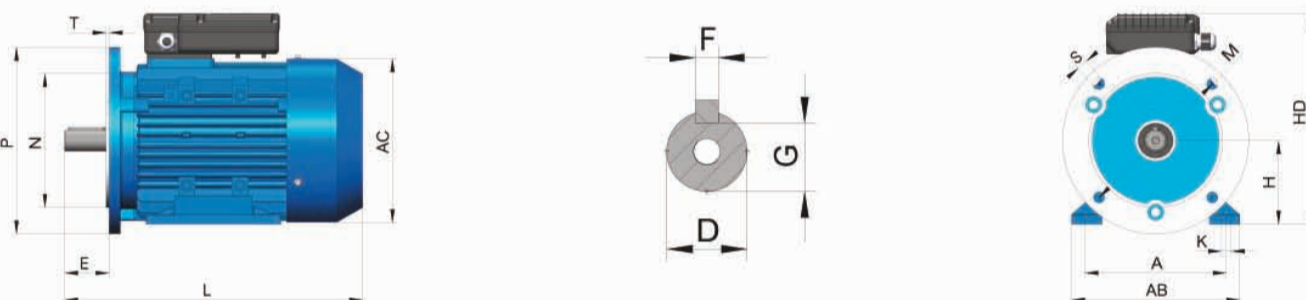
Frame reference and size	Rated power	Full load speed in revolutions per minute	Full load current at rated voltage	Exciter Voltage	Efficiency	Power factor	Direct on line starting torque ratio	Direct on line pull out torque ratio	Locked rotor torque	Mean sound pressure level @1m on no load	Start Capacitor	Weight
Type	Output (KW)	Speed (r/min)	Amps (A)	Voltage (V)	EFF. (%)	P.F. Cosφ	LRT/RLT	BDT/RLT	LRA	Noise LwdB(A)	(μf/v)	Weight (Kg)
GMYC711-2	0.18	2800	1.9	220	60	0.72	3	1.8	12	70	75/250	9.5
GMYC712-2	0.25	2800	2.4	220	64	0.74	3	1.8	15	70	75/250	10
GMYC711-4	0.12	1400	1.9	220	50	0.58	3	1.8	9	65	75/250	9.5
GMYC712-4	0.18	1400	2.5	220	53	0.62	2.8	1.8	12	65	75/250	10
GMYC801-2	0.37	2800	3.4	220	65	0.77	2.8	1.8	21	75	100/250	13.5
GMYC802-2	0.55	2800	4.7	220	68	0.79	2.8	1.8	29	75	150/250	14.5
GMYC801-4	0.25	1400	3.1	220	58	0.63	2.8	1.8	15	65	100/250	13.5
GMYC802-4	0.37	1400	4.2	220	62	0.64	2.5	1.8	21	70	100/250	14.5
GMYC90L1-2	0.75	2800	6.1	220	70	0.8	2.5	1.8	37	75	200/250	22
GMYC90L2-2	1.1	2800	8.7	220	72	0.8	2.5	1.8	60	78	250/250	21
GMYC90L1-4	0.55	1400	5.5	220	66	0.69	2.5	1.8	29	70	150/250	22
GMYC90L2-4	0.75	1400	6.9	220	68	0.73	2.5	1.8	37	70	150/250	21
GMYC100L1-2	1.5	2800	11.4	220	74	0.81	2.5	1.8	80	83	250/250	31
GMYC100L2-2	2.2	2800	16.5	22	75	0.81	22	1.8	120	83	300/250	22
GMYC100L1-4	1.1	1400	9.5	220	71	0.74	2.5	1.8	60	73	200/250	31
GMYC100L2-4	1.5	1400	12.5	220	73	0.75	2.5	1.8	80	78	300/250	32
GMYC112M-2	3	2800	21.9	220	76	0.82	2.2	1.8	150	87	300/250	46
GMYC112M-4	2.2	1400	17.8	220	74	0.76	2.2	1.8	120	78	300/250	40

安装尺寸



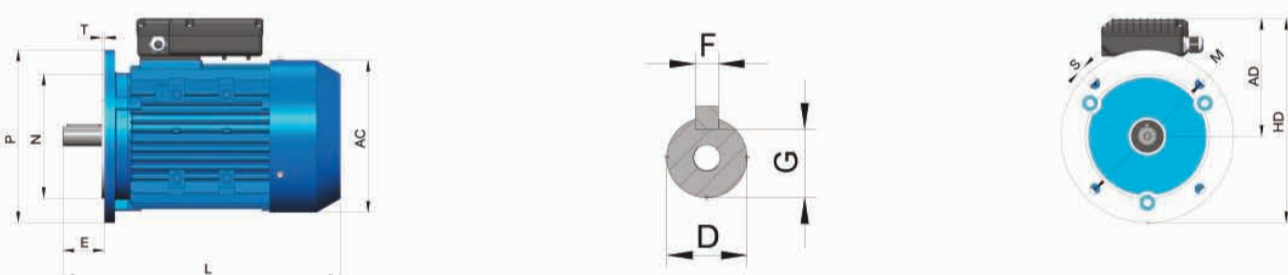
Frame with feet and end-shield with flange (IM B3)

TYPE	POLES	A	B	C	D	E	F	G	H	K	AB	BB	HD	AC	L
63	2.4	100	80	40	11	23	4	8.5	63	7	135	100	182	120	217
71	2.4	112	90	45	14	30	5	11	71	7	150	112	202	136	250
80	2.4	125	100	50	19	40	6	15.5	80	10	153	125	227	160	310
90L1	2.4	140	125	56	24	50	8	20	90	10	172	156	246	175	340
90L2	2.4	140	125	56	24	50	8	20	90	10	172	156	246	175	340
100L	2.4	160	140	63	28	60	8	24	100	12	200	172	250	196	425
112M	2.4	190	140	70	28	60	8	24	112	12	230	181	285	220	450
132S	2.4	216	140	89	38	80	10	33	132	12	260	186	330	259	485
132M	2.4	216	178	89	38	80	10	33	132	12	260	224	330	259	525



Frame with feet and end-shield with flange (IM B35)

TYPE	POLES	A	B	C	D	E	F	G	H	K	P	N	M	S	T	AB	BB	AC	HD	L
63	2.4	100	80	40	11	23	4	8.5	63	7	140	95	115	10	3	135	100	120	182	217
71	2.4	112	90	45	14	30	5	11	71	7	160	110	130	12	3.5	150	112	136	202	250
80	2.4	125	100	50	19	40	6	15.5	80	10	200	130	165	12	3.5	153	125	160	227	310
90L1	2.4	140	125	56	24	50	8	20	90	10	200	130	165	12	3.5	172	156	175	246	340
90L2	2.4	140	125	56	24	50	8	20	90	10	200	130	165	12	3.5	172	156	175	246	340
100L	2.4	160	140	63	28	60	8	24	100	12	250	180	215	15	4	200	172	196	250	425
112M	2.4	190	140	70	28	60	8	24	112	12	250	180	215	15	4	230	181	220	285	450
132S	2.4	216	140	89	38	80	10	33	132	12	300	230	265	15	4	260	186	259	330	485
132M	2.4	216	178	89	38	80	10	33	132	12	300	230	265	15	4	260	224	259	330	525



Frame with feet and end-shield with flange (IM B5)

TYPE	POLES	D	E	F	G	P	N	M	S	T	AD	HF	AC	L
63	2.4	11	23	4	8.5	140	95	115	10	3	119	189	120	217
71	2.4	14	30	5	11	160	110	130	12	3.5	131	211	136	250
80	2.4	19	40	6	15.5	200	130	165	12	3.5	147	247	160	310
90L1	2.4	24	50	8	20	200	130	165	12	3.5	156	256	175	340
90L2	2.4	24	50	8	20	200	130	165	12	3.5	156	256	175	340
100L	2.4	28	60	8	24	250	180	215	15	4	150	275	196	425
112M	2.4	28	60	8	24	250	180	215	15	4	173	298	220	450
132S	2.4	38	80	10	33	300	230	265	15	4	198	348	259	485
132M	2.4	38	80	10	33	300	230	265	15	4	198	348	259	525

轴承规格

轴承规格

外形尺寸	级数	轴伸端	非轴伸端
80	2-4	6204-2RZ	6204-2RZ
90	2-6	6205-2RZ	6205-2RZ
100	2-6	6206-2RZ	6206-2RZ
112	2-6	6306-2RZ	6306-2RZ
132	2-6	6308-2RZ	6308-2RZ
160	2-6	6309-2RZC3	6309-2RZC3
180	2-6	6311C3	6311C3
200	2-6	6312C3	6312C3
225	2-6	6313C3	6313C3
250	2-6	6314C3	6314C3
280	2	6314C3	6314C3
	4-6	6317C3	6317C3
315	2	6317C3	6317C3
	4-6	NU319C3	6319C3
355	2	6319C3	6319C3
	4-6	NU322C3	NU322C3